

736P Radionics™ Popit Interface Module

INSTALLATION AND PROGRAMMING GUIDE

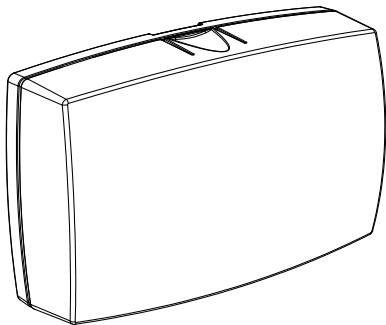


TABLE OF CONTENTS

About the 736P	1	Product Specifications	28
736P Features	2	Accessories	28
Install the 736P	3	Compatibility	28
Mount the Module	3	Certifications	29
Wire the Module	5	Underwriters Laboratory (UL Listed).....	29
Connect to the Keypad Bus	5		
Connect to the LX-Bus.....	5		
Connect Popex and Octopopit Modules....	7		
Convert Zonex Points to DMP Zones	9		
Test the Module.....	25		
Additional Information	26		
Wiring Specifications.....	26		
Tamper Switch Connection	26		
Radionics Terminology	27		
Compatible Radionics Devices	27		

ABOUT THE 736P

The Model 736P Radionics™ POPIT Interface Module allows a Radionics POPIT System to interface to a DMP panel, while maintaining the existing Radionics wiring.

The 736P is supervised and connects to either the DMP Keypad Bus or LX-Bus and supports up to 32 Keypad Bus zones and up to 100 LX-Bus zones.

All fire device installations must be in accordance with the manufacturer's instructions, NFPA standards, and the Authority Having Jurisdiction (AHJ) requirements.

736P FEATURES

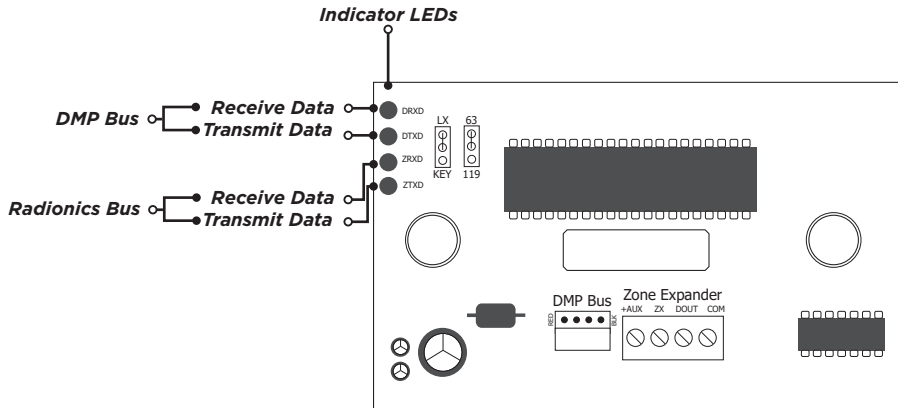


Figure 1: 736P PCB and LEDs

INSTALL THE 736P

1 *Mount the Module*

The 736P comes in a high-impact plastic housing that you can mount directly to a wall, backboard, or other flat surface. For easy installation, the back of the housing contains multiple holes that allow you to mount the module on a single-gang switch box or ring. The module can also be mounted in a DMP enclosure using the standard 3-hole mounting pattern. Refer to Figure 2 and Figure 3 as needed during installation.

1. Hold the plastic standoffs against the inside of the enclosure side wall.
2. Insert the included Phillips head screws from the outside of the enclosure into the standoffs. Tighten the screws.
3. Carefully snap the module onto the standoffs.

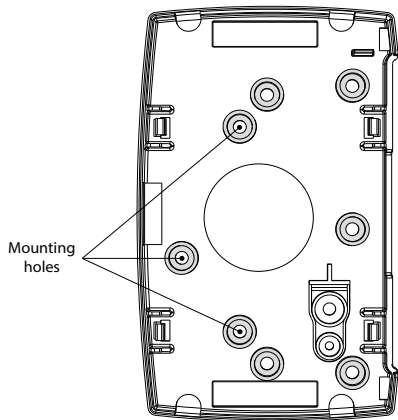


Figure 2: Mounting Hole Locations

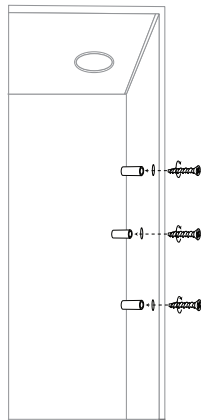


Figure 3: Standoff Installation

2 *Wire the Module*

Use 18 to 22 gauge wire to connect the 736P directly to the Keypad Bus or use a dual-ended 4-wire harness to connect directly to the LX-Bus. This connection allows the module to communicate with the panel and receive 12 VDC power. For more information about wiring, refer to Wiring Specifications. Refer to Figure 4 when wiring the 736P.

Connect to the Keypad Bus

1. Place a jumper across the bottom two LX/KEY pins.
2. Connect a 4-wire harness to the 736P DMP BUS header.
3. At the panel, connect the wires to the corresponding Keypad Bus terminals.

Connect to the LX-Bus

1. Place a jumper across the top two LX/KEY pins.
2. Connect one end of a 4-wire harness to the 736P DMP BUS header.
3. At the panel, connect the other end of the 4-wire harness to the LX-Bus.

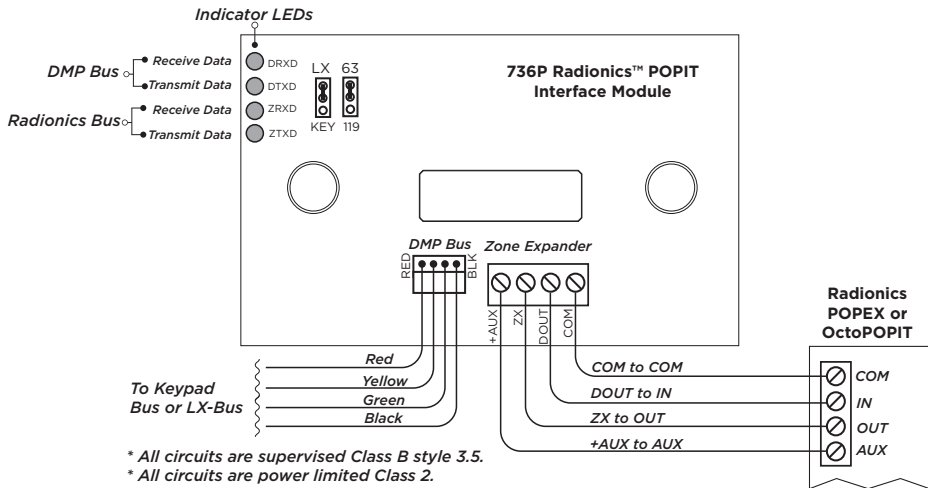


Figure 4: 736P Wiring

3 *Connect Popex and Octopopit Modules*

Connect the Radionics POPEX™ and OctoPOPIT™ modules to the Zone Expander terminals on 736P. The maximum wire distance between the 736P and any Radionics POPEX and OctoPOPIT is 10 feet. For more information about wiring specifications, refer to Additional Information. Refer to Figure 4 when connecting POPEX and OctoPOPIT modules to the 736P.

1. Connect wires from the 736P Zone Expander to the POPEX or OctoPOPIT module as follows:
 - a. COM Terminal to COM Terminal
 - b. DOUT Terminal to IN Terminal
 - c. ZX Terminal to OUT Terminal
 - d. +AUX Terminal to AUX Terminal
2. Select the type of Radionics ZONEX™ Bus that connects to the 736P module. To select a 63-point (horizontal or vertical) bus, place a jumper across the top two 63/119 pins. To select the expanded, 119-point bus, place the jumper across the bottom two 63/119 pins.

Because the Radionics D8125 Zone Expander is rated to operate over a voltage range of 10.2 VDC to 14 VDC, a power supply must be listed for fire protective signaling systems, power limited, and provide a voltage range within 10.2 VDC to 14.0 VDC. Refer to Figure 5.

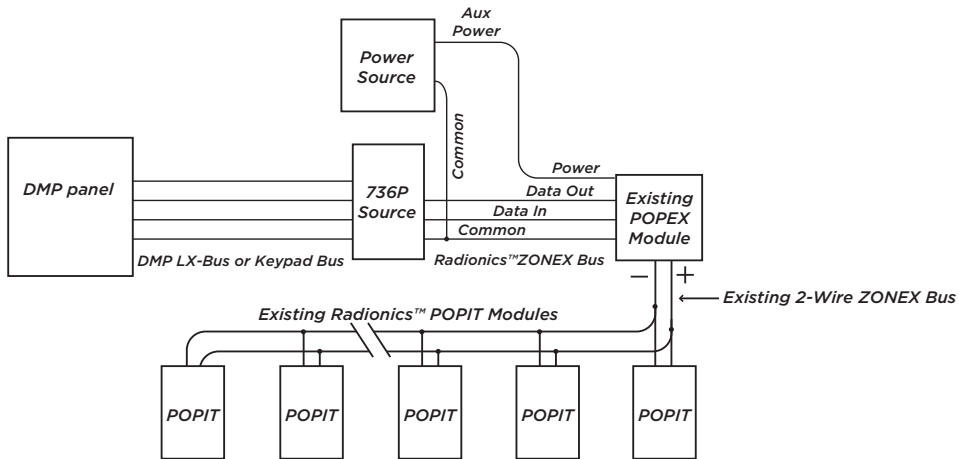


Figure 5: 736P with Radionics POPIT System


4 Convert Zonex Points to DMP Zones


When powered up, the 736P communicates with the Radionics POPEX or OctoPOPIT module and creates a table of equivalent DMP zone addresses. The current zone states are received from the Radionics module and transmitted to the DMP panel (Normal, Open, Shorted). The conversion tables show the Radionics point number and the corresponding DMP zone number for the LX-Bus and Keypad Bus. Once the corresponding DMP zone is determined from the tables, it must be programmed into the panel.

How to Use the Tables

The conversion tables on the following pages provide the Radionics ZONEX module switch setting and the expanded 119-point Radionics ZONEX Bus #1 and ZONEX Bus #2 numbers.

1. To find a corresponding DMP zone from either table, select the Radionics ZONEX point, the appropriate DMP bus type, and the appropriate DMP panel type. Table 1 lists the Keypad Bus numbers for all DMP panels. Tables 2 and 3 list LX-Bus numbers for XR150/XR550 Series panels.
2. Find the ZONEX Bus point number in Table 1 and the corresponding DMP Keypad Bus zone number is listed in one of the columns to the right.
3. For Tables 2 and 3, find the ZONEX Bus point number and the corresponding DMP LX-Bus zone number is listed in one of the columns to the right.

 **Example:** ZONEX Bus #1 point 022 on the expanded 119-point ZONEX Bus connected to a DMP LX-Bus 1 corresponds to DMP zone 513 on an XR150/XR550 panel.

 **Note:** Radionics points 109-127 and 229-247 are not supported. Those ZONEX Bus points can be reassigned to any available unused zones on the DMP panel.

Identify Unknown Zones

The Zone Finder feature built into XR150/XR550 Series panels is a diagnostic function that allows an installer to identify unknown zones in the system. To identify a zone, fault the Radionics point to display the equivalent DMP zone number at the keypad. Refer to the panel programming guide for additional information on this feature.

1. Reset the panel, enter **2313** (DIAG), and press CMD.
2. Press CMD to display **ZONE FINDER**. Press any select key or area. The display changes to **FAULT ZONE**.
3. Short the zone. The next zone on the system that changes from a normal to an open or shorted state is displayed as **ZONE NO: * * ***. To continue to the next zone, press the back arrow key and repeat step 3 until all zones have been identified.

SWITCH SETTINGS						
0	1	2	3	4	5	6
0	1	2	3	4	5	—
0	1	2	3	4	—	6
0	1	2	3	4	—	—
0	1	2	3	—	5	6
0	1	2	3	—	5	—
0	1	2	3	—	—	6
0	1	2	3	—	—	—
0	1	2	—	4	5	6
0	1	2	—	4	5	—
0	1	2	—	4	—	6
0	1	2	—	4	—	—
0	1	2	—	—	5	6
0	1	2	—	—	—	6
0	1	2	—	—	—	—
0	1	—	3	4	5	6
0	1	—	3	4	5	—
0	1	—	3	4	—	6

ZONEX BUS #1 EXPANSION (119)
9
10
11
12
13
14
15
16
17
18
19
20
21
22
23
24
25
26
27

ZONEX BUS #2 EXPANSION (119)
129
130
131
132
133
134
135
136
137
138
139
140
141
142
143
144
145
146
147

KEYPAD BUS		
XT30/XT50	XR150	XR550
11	11	11
12	12	12
13	13	13
14	14	14
21	21	21
22	22	22
23	23	23
24	24	24
31	31	31
32	32	32
33	33	33
34	34	34
41	41	41
42	42	42
43	43	43
44	44	44
51	51	51
52	52	52
53	53	53

Table 1: ZONEX Bus #1 and #2 to DMP Keypad Bus Zone Conversion

SWITCH SETTINGS							ZONEX BUS #1 EXPANSION (119)	ZONEX BUS #2 EXPANSION (119)	KEYPAD BUS		
0	1	-	3	4	-	-			XT30/XT50	XR150	XR550
0	1	-	3	4	-	-	28	148	54	54	54
0	1	-	3	-	5	6	29	149	61	61	61
0	1	-	3	-	5	-	30	150	62	62	62
0	1	-	3	-	-	6	31	151	63	63	63
0	1	-	3	-	-	-	32	152	64	64	64
0	1	-	-	4	5	6	33	153	71	71	71
0	1	-	-	4	5	-	34	154	72	72	72
0	1	-	-	4	-	6	35	155	73	73	73
0	1	-	-	4	-	-	36	156	74	74	74
0	1	-	-	-	5	6	37	157	81	81	81
0	1	-	-	-	5	-	38	158	82	82	82
0	1	-	-	-	-	6	39	159	83	83	83
0	1	-	-	-	-	-	40	160	84	84	84
0	-	2	3	4	5	6	41	161			91
0	-	2	3	4	5	-	42	162			92
0	-	2	3	4	-	6	43	163			93
0	-	2	3	4	-	-	44	164			94
0	-	2	3	-	5	6	45	165			101

Table 1 Continued: ZONEX Bus #1 and #2 to DMP Keypad Bus Zone Conversion

SWITCH SETTINGS							ZONEX BUS #1 EXPANSION (119)	ZONEX BUS #2 EXPANSION (119)	KEYPAD BUS		
0	—	2	3	—	5	—			XT30/XT50	XR150	XR550
0	—	2	3	—	5	—	46	166			102
0	—	2	3	—	—	6	47	167			103
0	—	2	3	—	—	—	48	168			104
0	—	2	—	4	5	6	49	169			111
0	—	2	—	4	5	—	50	170			112
0	—	2	—	4	—	6	51	171			113
0	—	2	—	4	—	—	52	172			114
0	—	2	—	—	5	6	53	173			121
0	—	2	—	—	5	—	54	174			122
0	—	2	—	—	—	6	55	175			123
0	—	2	—	—	—	—	56	176			124
0	—	—	3	4	5	6	57	177			131
0	—	—	3	4	5	—	58	178			132
0	—	—	3	4	—	6	59	179			133
0	—	—	3	4	—	—	60	180			134
0	—	—	3	—	5	6	61	181			141
0	—	—	3	—	5	—	62	182			142
0	—	—	3	—	—	6	63	183			143

Table 1 Continued: ZONEX Bus #1 and #2 to DMP Keypad Bus Zone Conversion

SWITCH SETTINGS						
0	-	-	3	-	-	-
0	-	-	-	4	5	6
0	-	-	-	4	5	-
0	-	-	-	4	-	6
0	-	-	-	4	-	-
0	-	-	-	-	5	6
0	-	-	-	-	5	-
0	-	-	-	-	-	6
0	-	-	-	-	-	-

ZONEX BUS #1	ZONEX BUS #2
EXPANSION (119)	EXPANSION (119)
64	184
65	185
66	186
67	187
68	188
69	189
70	190
71	191
72	192

KEYPAD BUS		
XT30/XT50	XR150	XR550
		144
		151
		152
		153
		154
		161
		162
		163
		164

Table 1 End: ZONEX Bus #1 and #2 to DMP Keypad Bus Zone Conversion

SWITCH SETTINGS							ZONEX BUS #1	XR150/XR550 SERIES				
							EXPANSION (119)	#1	#2	#3	#4	#5
								LX500	LX600	LX700	LX800	LX900
0	1	2	3	4	5	6	9	500	600	700	800	900
0	1	2	3	4	5	—	10	501	601	701	801	901
0	1	2	3	4	—	6	11	502	602	702	802	902
0	1	2	3	4	—	—	12	503	603	703	803	903
0	1	2	3	—	5	6	13	504	604	704	804	904
0	1	2	3	—	5	—	14	505	605	705	805	905
0	1	2	3	—	—	6	15	506	606	706	806	906
0	1	2	3	—	—	—	16	507	607	707	807	907
0	1	2	—	4	5	6	17	508	608	708	808	908
0	1	2	—	4	5	—	18	509	609	709	809	909
0	1	2	—	4	—	6	19	510	610	710	810	910
0	1	2	—	4	—	—	20	511	611	711	811	911
0	1	2	—	—	5	6	21	512	612	712	812	912
0	1	2	—	—	5	—	22	513	613	713	813	913
0	1	2	—	—	—	6	23	514	614	714	814	914
0	1	2	—	—	—	—	24	515	615	715	815	915
0	1	—	3	4	5	6	25	516	616	716	816	916
0	1	—	3	4	5	—	26	517	617	717	817	917
0	1	—	3	4	—	6	27	518	618	718	818	918
0	1	—	3	4	—	—	28	519	619	719	819	919
0	1	—	3	—	5	6	29	520	620	720	820	920

Table 2: ZONEX Bus #1 to DMP LX-Bus Zone Conversion

SWITCH SETTINGS							ZONEX BUS #1	XR150/XR550 SERIES				
							EXPANSION (119)	#1	#2	#3	#4	#5
								LX500	LX600	LX700	LX800	LX900
0	1	—	3	—	5	—	30	521	621	721	821	921
0	1	—	3	—	—	6	31	522	622	722	822	922
0	1	—	3	—	—	—	32	523	623	723	823	923
0	1	—	—	4	5	6	33	524	624	724	824	924
0	1	—	—	4	5	—	34	525	625	725	825	925
0	1	—	—	4	—	6	35	526	626	726	826	926
0	1	—	—	4	—	—	36	527	627	727	827	927
0	1	—	—	—	5	6	37	528	628	728	828	928
0	1	—	—	—	5	—	38	529	629	729	829	929
0	1	—	—	—	—	6	39	530	630	730	830	930
0	1	—	—	—	—	—	40	531	631	731	831	931
0	—	2	3	4	5	6	41	532	632	732	832	932
0	—	2	3	4	5	—	42	533	633	733	833	933
0	—	2	3	4	—	6	43	534	634	734	834	934
0	—	2	3	4	—	—	44	535	635	735	835	935
0	—	2	3	—	5	6	45	536	636	736	836	936
0	—	2	3	—	5	—	46	537	637	737	837	937
0	—	2	3	—	—	6	47	538	638	738	838	938
0	—	2	3	—	—	—	48	539	639	739	839	939
0	—	2	—	4	5	6	49	540	640	740	840	940
0	—	2	—	4	5	—	50	541	641	741	841	941
0	—	2	—	4	—	6	51	542	642	742	842	942

Table 2 Continued: ZONEX Bus #1 to DMP LX-Bus Zone Conversion

SWITCH SETTINGS							ZONEX BUS #1	XR150/XR550 SERIES				
							EXPANSION (119)	#1	#2	#3	#4	#5
								LX500	LX600	LX700	LX800	LX900
0	—	2	—	4	—	—	52	543	643	743	843	943
0	—	2	—	—	5	6	53	544	644	744	844	944
0	—	2	—	—	—	—	54	545	645	745	845	945
0	—	2	—	—	—	—	55	546	646	746	846	946
0	—	2	—	—	—	—	56	547	647	747	847	947
0	—	—	3	4	5	6	57	548	648	748	848	948
0	—	—	3	4	5	—	58	549	649	749	849	949
0	—	—	3	4	—	6	59	550	650	750	850	950
0	—	—	3	4	—	—	60	551	651	751	851	951
0	—	—	3	—	5	6	61	552	652	752	852	952
0	—	—	3	—	5	—	62	553	653	753	853	953
0	—	—	3	—	—	6	63	554	654	754	854	954
0	—	—	3	—	—	—	64	555	655	755	855	955
0	—	—	—	4	5	6	65	556	656	756	856	956
0	—	—	—	4	5	—	66	557	657	757	857	957
0	—	—	—	4	—	6	67	558	658	758	858	958
0	—	—	—	4	—	—	68	559	659	759	859	959
0	—	—	—	—	5	6	69	560	660	760	860	960
0	—	—	—	—	5	—	70	561	661	761	861	961
0	—	—	—	—	—	6	71	562	662	762	862	962
0	—	—	—	—	—	—	72	563	663	763	863	963
—	1	2	3	4	5	6	73	564	664	764	864	964

Table 2 Continued: ZONEX Bus #1 to DMP LX-Bus Zone Conversion

SWITCH SETTINGS						
—	1	2	3	4	5	—
—	1	2	3	4	—	6
—	1	2	3	4	—	—
—	1	2	3	—	5	6
—	1	2	3	—	—	6
—	1	2	3	—	—	—
—	1	2	—	4	5	6
—	1	2	—	4	5	—
—	1	2	—	4	—	6
—	1	2	—	4	—	—
—	1	2	—	—	5	6
—	1	2	—	—	—	6
—	1	2	—	—	—	—
—	1	—	3	4	5	6
—	1	—	3	4	5	—
—	1	—	3	4	—	6
—	1	—	3	4	—	—
—	1	—	3	—	5	6
—	1	—	3	—	5	—
—	1	—	3	—	—	6
—	1	—	3	—	—	—

ZONEX BUS #1	XR150/XR550 SERIES					
	EXPANSION (119)	#1	#2	#3	#4	#5
		LX500	LX600	LX700	LX800	LX900
74	565	665	765	865	965	
75	566	666	766	866	966	
76	567	667	767	867	967	
77	568	668	768	868	968	
78	569	669	769	869	969	
79	570	670	770	870	970	
80	571	671	771	871	971	
81	572	672	772	872	972	
82	573	673	773	873	973	
83	574	674	774	874	974	
84	575	675	775	875	975	
85	576	676	776	876	976	
86	577	677	777	877	977	
87	578	678	778	878	978	
88	579	679	779	879	979	
89	580	680	780	880	980	
90	581	681	781	881	981	
91	582	682	782	882	982	
92	583	683	783	883	983	
93	584	684	784	884	984	
94	585	685	785	885	985	
95	586	686	786	886	986	
96	587	687	787	887	987	

Table 2 Continued: ZONEX Bus #1 to DMP LX-Bus Zone Conversion

SWITCH SETTINGS						
–	1	–	–	4	5	6
–	1	–	–	4	5	–
–	1	–	–	4	–	6
–	1	–	–	4	–	–
–	1	–	–	–	5	6
–	1	–	–	–	5	–
–	1	–	–	–	–	6
–	1	–	–	–	–	–
–	–	2	3	4	5	6
–	–	2	3	4	5	–
–	–	2	3	4	–	6
–	–	2	3	4	–	–

ZONEX BUS #1	XR150/XR550 SERIES					
	EXPANSION (119)	#1	#2	#3	#4	#5
	LX500	LX600	LX700	LX800	LX900	
97	588	688	788	888	988	
98	589	689	789	889	989	
99	590	690	790	890	990	
100	591	691	791	891	991	
101	592	692	792	892	992	
102	593	693	793	893	993	
103	594	694	794	894	994	
104	595	695	795	895	995	
105	596	696	796	896	996	
106	597	697	797	897	997	
107	598	698	798	898	998	
108	599	699	799	899	999	

Table 2 End: ZONEX Bus #1 to DMP LX-Bus Zone Conversion

SWITCH SETTINGS								ZONEX BUS #2	XR150/XR550 SERIES				
								EXPANSION (119)	#1	#2	#3	#4	#5
									LX500	LX600	LX700	LX800	LX900
0	1	2	3	4	5	6	129	500	600	700	800	900	
0	1	2	3	4	5	—	130	501	601	701	801	901	
0	1	2	3	4	—	6	131	502	602	702	802	902	
0	1	2	3	4	—	—	132	503	603	703	803	903	
0	1	2	3	—	5	6	133	504	604	704	804	904	
0	1	2	3	—	5	—	134	505	605	705	805	905	
0	1	2	3	—	—	6	135	506	606	706	806	906	
0	1	2	3	—	—	—	136	507	607	707	807	907	
0	1	2	—	4	5	6	137	508	608	708	808	908	
0	1	2	—	4	5	—	138	509	609	709	809	909	
0	1	2	—	4	—	6	139	510	610	710	810	910	
0	1	2	—	4	—	—	140	511	611	711	811	911	
0	1	2	—	—	5	6	141	512	612	712	812	912	
0	1	2	—	—	5	—	142	513	613	713	813	913	
0	1	2	—	—	—	6	143	514	614	714	814	914	
0	1	2	—	—	—	—	144	515	615	715	815	915	
0	1	—	3	4	5	6	145	516	616	716	816	916	
0	1	—	3	4	5	—	146	517	617	717	817	917	
0	1	—	3	4	—	6	147	518	618	718	818	918	
0	1	—	3	4	—	—	148	519	619	719	819	919	
0	1	—	3	—	5	6	149	520	620	720	820	920	

Table 3: ZONEX Bus #2 to DMP LX-Bus Zone Conversion

SWITCH SETTINGS							ZONEX BUS #2	XR150/XR550 SERIES				
							EXPANSION (119)	#1	#2	#3	#4	#5
								LX500	LX600	LX700	LX800	LX900
0	1	—	3	—	5	—	150	521	621	721	821	921
0	1	—	3	—	—	6	151	522	622	722	822	922
0	1	—	3	—	—	—	152	523	623	723	823	923
0	1	—	—	4	5	6	153	524	624	724	824	924
0	1	—	—	4	5	—	154	525	625	725	825	925
0	1	—	—	4	—	6	155	526	626	726	826	926
0	1	—	—	4	—	—	156	527	627	727	827	927
0	1	—	—	—	5	6	157	528	628	728	828	928
0	1	—	—	—	5	—	158	529	629	729	829	929
0	1	—	—	—	—	6	159	530	630	730	830	930
0	1	—	—	—	—	—	160	531	631	731	831	931
0	—	2	3	4	5	6	161	532	632	732	832	932
0	—	2	3	4	5	—	162	533	633	733	833	933
0	—	2	3	4	—	6	163	534	634	734	834	934
0	—	2	3	4	—	—	164	535	635	735	835	935
0	—	2	3	—	5	6	165	536	636	736	836	936
0	—	2	3	—	5	—	166	537	637	737	837	937
0	—	2	3	—	—	6	167	538	638	738	838	938
0	—	2	3	—	—	—	168	539	639	739	839	939
0	—	2	—	4	5	6	169	540	640	740	840	940

Table 3 Continued: ZONEX Bus #2 to DMP LX-Bus Zone Conversion

SWITCH SETTINGS							ZONEX BUS #2	XR150/XR550 SERIES				
							EXPANSION (119)	#1	#2	#3	#4	#5
								LX500	LX600	LX700	LX800	LX900
0	-	2	-	4	5	-	170	541	641	741	841	941
0	-	2	-	4	-	6	171	542	642	742	842	942
0	-	2	-	4	-	-	172	543	643	743	843	943
0	-	2	-	-	5	6	173	544	644	744	844	944
0	-	2	-	-	5	-	174	545	645	745	845	945
0	-	2	-	-	-	6	175	546	646	746	846	946
0	-	2	-	-	-	-	176	547	647	747	847	947
0	-	-	3	4	5	6	177	548	648	748	848	948
0	-	-	3	4	5	-	178	549	649	749	849	949
0	-	-	3	4	-	6	179	550	650	750	850	950
0	-	-	3	4	-	-	180	551	651	751	851	951
0	-	-	3	-	5	6	181	552	652	752	852	952
0	-	-	3	-	5	-	182	553	653	753	853	953
0	-	-	3	-	-	6	183	554	654	754	854	954
0	-	-	3	-	-	-	184	555	655	755	855	955
0	-	-	-	4	5	6	185	556	656	756	856	956
0	-	-	-	4	5	-	186	557	657	757	857	957
0	-	-	-	4	-	6	187	558	658	758	858	958
0	-	-	-	4	-	-	188	559	659	759	859	959
0	-	-	-	-	5	6	189	560	660	760	860	960
0	-	-	-	-	5	-	190	561	661	761	861	961
0	-	-	-	-	-	6	191	562	662	762	862	962

Table 3 Continued: ZONEX Bus #2 to DMP LX-Bus Zone Conversion

SWITCH SETTINGS							ZONEX BUS #2	XR150/XR550 SERIES				
							EXPANSION (119)	#1	#2	#3	#4	#5
								LX500	LX600	LX700	LX800	LX900
0	—	—	—	—	—	—	192	563	663	763	863	963
—	1	2	3	4	5	6	193	564	664	764	864	964
—	1	2	3	4	5	—	194	565	665	765	865	965
—	1	2	3	4	—	6	195	566	666	766	866	966
—	1	2	3	4	—	—	196	567	667	767	867	967
—	1	2	3	—	5	6	197	568	668	768	868	968
—	1	2	3	—	5	—	198	569	669	769	869	969
—	1	2	3	—	—	6	199	570	670	770	870	970
—	1	2	3	—	—	—	200	571	671	771	871	971
—	1	2	—	4	5	6	201	572	672	772	872	972
—	1	2	—	4	5	—	202	573	673	773	873	973
—	1	2	—	4	—	6	203	574	674	774	874	974
—	1	2	—	4	—	—	204	575	675	775	875	975
—	1	2	—	—	5	6	205	576	676	776	876	976
—	1	2	—	—	5	—	206	577	677	777	877	977
—	1	2	—	—	—	6	207	578	678	778	878	978
—	1	2	—	—	—	—	208	579	679	779	879	979
—	1	—	3	4	5	6	209	580	680	780	880	980
—	1	—	3	4	5	—	210	581	681	781	881	981
—	1	—	3	4	—	6	211	582	682	782	882	982
—	1	—	3	—	5	6	213	584	684	784	884	984
—	1	—	3	—	5	—	214	585	685	785	885	985

Table 3 Continued: ZONEX Bus #2 to DMP LX-Bus Zone Conversion

SWITCH SETTINGS							ZONEX BUS #2	XR150/XR550 SERIES				
							EXPANSION (119)	#1	#2	#3	#4	#5
								LX500	LX600	LX700	LX800	LX900
–	1	–	3	–	–	6	215	586	686	786	886	986
–	1	–	3	–	–	–	216	587	687	787	887	987
–	1	–	–	4	5	6	217	588	688	788	888	988
–	1	–	–	4	5	–	218	589	689	789	889	989
–	1	–	–	4	–	6	219	590	690	790	890	990
–	1	–	–	4	–	–	220	591	691	791	891	991
–	1	–	–	–	5	6	221	592	692	792	892	992
–	1	–	–	–	5	–	222	593	693	793	893	993
–	1	–	–	–	–	6	223	594	694	794	894	994
–	1	–	–	–	–	–	224	595	695	795	895	995
–	–	2	3	4	5	6	225	596	696	796	896	996
–	–	2	3	4	5	–	226	597	697	797	897	997
–	–	2	3	4	–	6	227	598	698	798	898	998
–	–	2	3	4	–	–	228	599	699	799	899	999

Table 3 End: ZONEX Bus #2 to DMP LX-Bus Zone Conversion

5 *Test the Module*

Perform a Standard Walk Test to confirm that all of the modules are communicating with the 736P and the 736P is communicating with the panel.

1. Reset the panel.
2. At a keypad, enter **8144** (WALK) and select **STD**.
3. Trip each zone on the system. The keypad will annunciate each time a zone is tripped and display the number of zones successfully tripped.
4. Press the fourth select area or key to end the walk test.

ADDITIONAL INFORMATION

Wiring Specifications

DMP recommends using 18 or 22 AWG for all LX-Bus and Keypad Bus connections. The maximum wire distance between any module and the DMP Keypad Bus or LX-Bus circuit is 1,000 feet. To increase the wiring distance, install an auxiliary power supply, such as a DMP Model 505-12. Maximum voltage drop between a panel or auxiliary power supply and any device is 2.0 VDC. If the voltage at any device is less than the required level, add an auxiliary power supply at the end of the circuit.

To maintain auxiliary power integrity when using 22-gauge wire on Keypad Bus circuits, do not exceed 500 feet. When using 18-gauge wire, do not exceed 1,000 feet. Maximum distance for any bus circuit is 2,500 feet regardless of wire gauge. Each 2,500 foot bus circuit supports a maximum of 40 LX-Bus devices.

For additional information refer to the LX-Bus/Keypad Bus Wiring Application Note (LT-2031) and the 710 Bus Splitter/Repeater Module Installation Guide (LT-0310).

Tamper Switch Connection

To install a tamper switch, mount the tamper inside the enclosure and run a 2 pin tamper wire connector from the switch to the TAMPER header on the panel.

Radionics Terminology

The Radionics ZONEX (**ZONe EX**pansion system) is the zone expansion bus, much like DMP's LX-Bus. A POPEX (**P**oint **O**f **P**rotection **EX**pander) is the device that provides the ZONEX, similar to a DMP 481 Zone Expansion Interface Card that provides an LX-Bus.

The POPIT (**P**oint **O**f **P**rotection **I**nput **T**ransponder) is a device on the ZONEX that provides a protection device connection point, similar to a DMP 711 Single Point Zone Expander Module. The OctoPOPIT is a ZONEX device that provides several connection points, similar to a DMP 714-8 Zone Expander combined with a 481 Interface Card. A POPEX is not required when using an OctoPOPIT.

Compatible Radionics Devices

The 736P Module supports the following Radionics POPEX and OctoPOPIT devices:

- D8125 POPEX Zone Expander
- D8128A OctoPOPIT for 63-point bus
- D8128C OctoPOPIT for 63-point or 119-point bus
- Compliance Listing Specifications

To comply with ANSI/UL 365 Police-Connected Burglary Systems or ANSI/UL 609 Local Burglary Alarm Systems, the 736P Module must be mounted in a listed enclosure with a tamper installed.

For listed fire applications, the wiring connection must be 18 gauge or greater, unless the wire complies with the requirements of the NEC 1999, and the wiring consists of two or more insulated conductors under a non-metallic jacket.

PRODUCT SPECIFICATIONS

Operating Voltage	12 VDC
Current Draw	25 mA
Dimensions	4.50" W x 2.75" H x 1.75" D 11.43 cm W x 6.99 cm H x 4.45 cm D
Wire Specifications	Accepts 12 to 22 AWG wire

ACCESSORIES

Model 330	Dual-Ended 4-Wire Harness
------------------	---------------------------

COMPATIBILITY

Panels

XR150/XR550 Control Panels
XT30/XT50 Control Panels

Radionics Modules

D8125 POPEX Zone Expander
D8128A OctoPOPIT for 63-point bus
D8128C OctoPOPIT for 63-point or 119-point bus

CERTIFICATIONS

California State Fire Marshal (CSFM)

New York City (FDNY)

Commercial Burglar and Fire Accessory Radionics Interface Module

Underwriters Laboratory (UL Listed)

ANSI/UL 365	Police Connected Burglar
ANSI/UL 609	Local Burglar
ANSI/UL 864	Fire Protective Signaling
ANSI/UL 985	Household Fire Warning
ANSI/UL 1023	Household Burglar
ANSI/UL 1076	Proprietary Burglar
ANSI/UL 1610	Central Station Burglar
ANSI/UL 1635	Digital Burglar

Radionics, POPEX, POPIT, OctoPOPIT, and ZONEX are trademarks of Bosch Security Systems.

Information furnished is believed to be accurate and reliable.
This information is subject to change without notice.

