



PRODUCT COMPATIBILITY

Keypads

- 630F LCD Remote Fire Command
- 7000 Series Thinline Keypads
- 7000A Series Aqualite Keypads
- 7463-W Network Thinline LCD Keypad with Prox Reader
- 7800 Graphic Touchscreen Keypads
- 9060 Wireless Keypad
- 9063 Wireless Keypad w/ Prox Reader
- 9800 Wireless Touchscreen Keypads

Expansion Modules

- 708 Bus Extender
- 710 Bus Splitter/Repeater
- 711 Single Zone Expansion
- 712-8 Eight-Zone Expansion
- 714 Four-Zone Class B Expansion
- 714-8 Eight-Zone Class B Expansion
- 714-16 16-Zone Class B Expansion
- 715 Four-Zone Two-Wire Smoke Expansion
- 715-8 Eight-Zone Two-Wire Smoke Expansion
- 715-16 16-Zone Two-Wire Smoke Expansion
- 716 Output Expansion, Four Form C Relays, Four Open Collector Outputs
- 717 Graphic Annunciator: 20 Open Collector Outputs
- 736P Radionics Interface
- 738A Ademco Interface Module
- 738I ITI Interface Module

Cellular

- 263LTE-A AT&T LTE Cellular Communicator
- 263LTE-V Verizon LTE Cellular Communicator
- 263LTE-FN FirstNet Ready Cellular Communicator
- 380-400 Replacement Level 400 SIM Card (AT&T)
- 381-12 12' SMA Coax Cable Extension
- 381-25 25' SMA Cable Extension
- 383 Rubber Duck Antenna
- 387-1 3dB Fiberglass Antenna
- 387-2 2dB Attack Enclosure Antenna
- 387-3 3dB MEG Antenna

Auxiliary Modules

- 860 Relay Output Module
- 865 Style W/X Notification Circuit Module
- 866 Style W Notification Circuit Module
- 867 LX-Bus Notification Circuit Module
- 869 Style D Initiating Circuit Module
- 893A Dual Phone Line Module

Power Supplies

- 505-12/LX 5 Amps @ 12 VDC
- 505-12L 5 5 Amps @ 12 VDC
- 505-12A 5 5 Amps @ 12 VDC

Smoke/Heat Detectors

- 2W-BLX Conventional Smoke
- 2WT-BLX Conventional Smoke/Heat

Intrusion Devices

DMP is compatible with most standard intrusion devices

Access Control

- 734 OSDP or Wiegand Access Control Module
- 734N Network OSDP or Wiegand Access Control Module
- 734N-POE Network OSDP or Wiegand Access Control Module
- 1134 Wireless Access Control Module
- OP-08CB REX Motion Detector
- PB-2 Request-to-Exit Button
- Proximity Readers and Credentials
- DMP ProxPatch

Monitoring Center Receivers

- SCS-IR Security Control Receiver
- SCS-105 Single-Line DMP Serial 3 Receiver
- Compatible with receivers that accept standard CID, DD or DMP Serial 3 messaging
- SCS-VR (Virtual Receiver)
- Software-only solution that runs on a server for network IP and cellular communications

DMP Wireless

- 1100X Receiver
- 1100XH High-Power Receiver
- 1100R Repeater
- 1100T Translator
- 1101 Universal Transmitter, Internal and External Contacts
- 1102 Universal Transmitter, External Contact
- 1103 Universal Transmitter, Internal and External Contact
- 1106 Universal Transmitter, Internal and External Contact
- 1107 Micro Window Transmitter
- 1108 Doorbell Module
- 1114 Four-Zone Expander
- 1115 Temperature Sensor and Flood Detector
- 1116 Relay Output
- 1117 LED Annunciator
- 1118 Remote Indicator Light
- 1119 Door Sounder
- 1122 PIR
- 1126R 360 Ceiling Mount PIR
- 1127C Wall Mount Curtain PIR
- 1127W Wall Mount Wide Angle PIR
- 1128 Glassbreak Detector
- 1131 Recessed Contact
- 1134 Access Control Module
- 1135 Siren, 100 dB

- 1136 Remote Chime
- 1137 LED Emergency Light
- 1139 Bill Trap
- 1141 Wall Button
- 1142 Two-Button Hold-Up Transmitter
- 1142BC Two-Button Belt Clip Hold-Up Transmitter
- 1144-4 Four-Button Key Fob
- 1144-2P Two-Button Key Fob
- 1144-1P One-Button Key Fob
- 1144-1P-PSV Panic Key Fob
- 1144-D Dual-Button Key Fob
- 1148 Personal Pendant
- 1154 Four-Zone Input Module
- 1158 Eight-Zone Input Module
- 1164 Smoke Detector with Synchronized Sounder
- 1164NS-W Smoke Detector with No Sounder
- 1166 Smoke Detector Ring
- 1168 Smoke/CO/Low Temp Detector
- 1183-135F Heat Detector (Fixed)
- 1183-135R Heat Detector (Rate of Rise)
- 1184 Carbon Monoxide Detector

Accessories

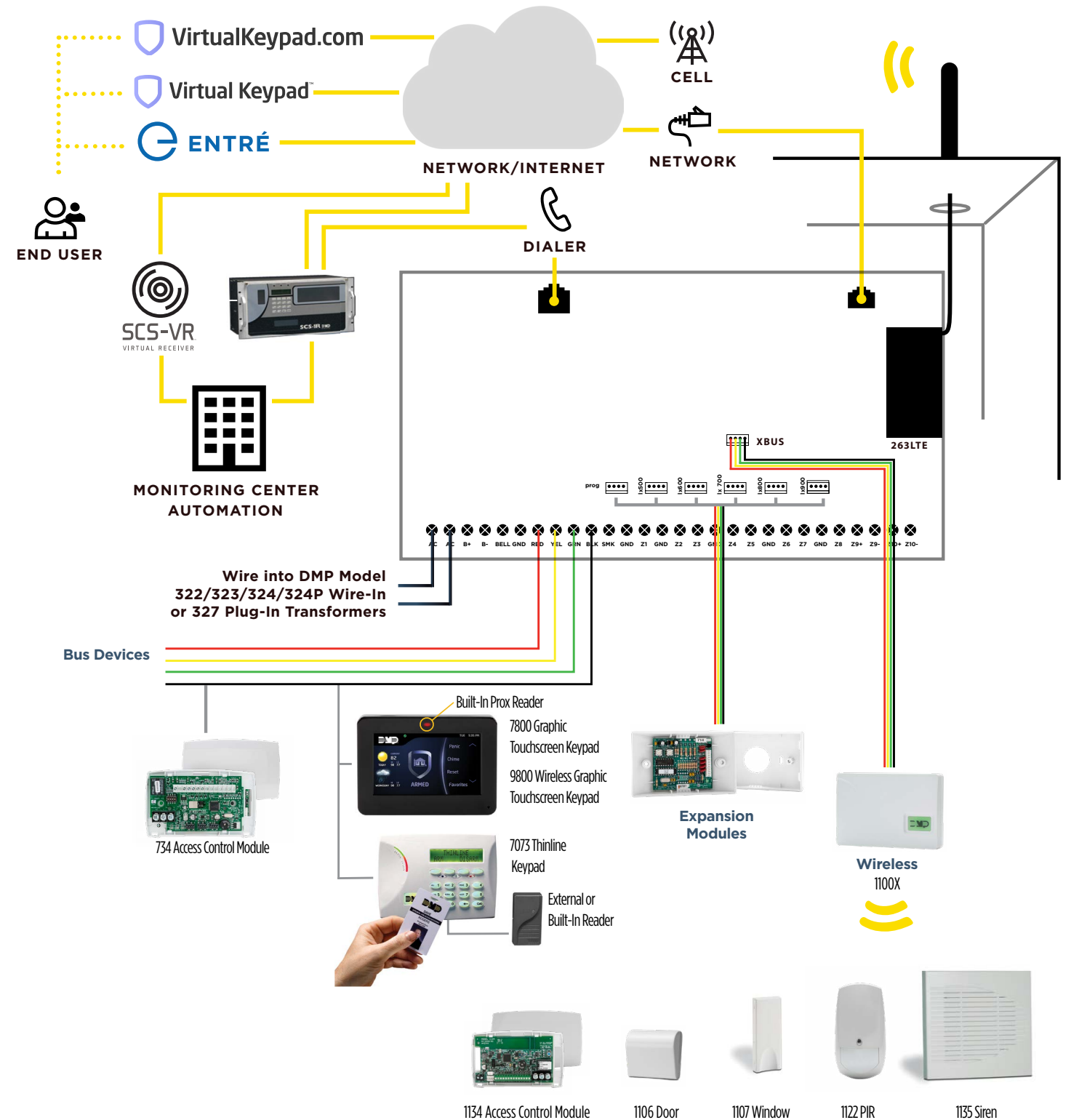
- 270 Network Transient Suppressor
- 277 Trouble Annunciator
- 300 Four-Wire Harness
- 303 Silence/Reset Push-Button
- 305 Plug-In Output Relay
- 306 Tamper Harness
- 307-S Screw-On Tamper Switch
- 3012 Clip-On Tamper Switch
- 335 Intrusion Siren
- 370 Lightning Suppressor
- 374 Surge Voltage Suppressor
- 431 Output Harness
- 738Z+ Z-Wave Interface Module
- 861 Power Distribution Module
- 300-9800-4 Four-Wire Replacement Harness

Dealer Management

- Dealer Admin™
- Remote Link™ Programming Software

End User Management

- Virtual Keypad™
- VirtualKeypad.com
- Entré™ Access Control Software





PRODUCT COMPATIBILITY

Keypads

- 7000 Series Thinline Keypads
- 7000A Series Aqualite Keypads
- 7300 Series Icon Keypads
- 7463-W Network Thinline LCD Keypad with Prox Reader
- 7800 Touchscreen Keypads
- 9000 Wireless Keypads
- 9800 Wireless Touchscreen Keypads

Expansion Modules

- 708 Bus Extender
- 710 Bus Splitter/Repeater
- 711 Single Zone Expansion
- 712-8 Eight-Zone Expansion
- 714 Four-Zone Class B Expansion
- 714-8 Eight-Zone Class B Expansion
- 714-16 16-Zone Class B Expansion
- 715 Four-Zone Two-Wire Smoke Expansion
- 715-8 Eight-Zone Two-Wire Smoke Expansion
- 715-16 16-Zone Two-Wire Smoke Expansion

Cellular

- 263LTE-A AT&T LTE Cellular Communicator
- 263LTE-V Verizon LTE Cellular Communicator
- 263LTE-FN FirstNet Ready Cellular Communicator
- 380-400 Replacement Level 400 SIM Card (AT&T)
- 381-12 12' SMA Coax Cable Extension
- 381-25 25' SMA Cable Extension
- 383 Rubber Duck Antenna
- 387-1 3dB Fiberglass Antenna
- 387-2 2dB Attack Enclosure Antenna
- 387-3 3dB MEG Antenna

Intrusion Devices

DMP is compatible with most standard intrusion devices

Access Control

- 734 OSDP or Wiegand Access Control Module
- 1134 Wireless Access Control Module
- OP-08CB REX Motion Detector
- PB-2 Request-to-Exit Button
- Proximity Readers and Credentials DMP ProxPatch

Monitoring Center Receivers

- SCS-1R Security Control Receiver
- SCS-105 Single-Line DMP Serial 3 Receiver  
Compatible with receivers that accept standard CID, DMP Serial 3 or network messaging
- SCS-VR (Virtual Receiver)  
Software—only solution that runs on a server for network IP and cellular communications

DMP Wireless

- 1100D Receiver
- 1100DI In-line Receiver
- 1100DH High-Power Receiver
- 1100R Repeater
- 1100T Translator
- 1101 Universal Transmitter, Internal and External Contacts
- 1102 Universal Transmitter, External Contact
- 1103 Universal Transmitter, Internal and External Contact
- 1106 Universal Transmitter, Internal and External Contact
- 1107 Micro Window Transmitter
- 1108 Doorbell Module
- 1114 Four-Zone Expander
- 1115 Temperature Sensor and Flood Detector
- 1116 Relay Output
- 1117 LED Annunciator
- 1119 Door Sounder
- 1122 PIR
- 1126R 360 Ceiling Mount PIR
- 1127C Wall Mount Curtain PIR
- 1127W Wall Mount Wide Angle PIR
- 1128 Glassbreak Detector
- 1131 Recessed Contact
- 1134 Access Control Module
- 1135 Siren, 100dB
- 1136 Remote Chime
- 1137 LED Emergency Light
- 1139 Bill Trap
- 1141 Wall Button
- 1142 Two-Button Hold-Up Transmitter
- 1142BC Two-Button Belt Clip Hold-Up Transmitter
- 1144-4 Four-Button Key Fob
- 1144-2P Two-Button Key Fob
- 1144-1P One-Button Key Fob

- 1144-1P-PSV Panic Key Fob
- 1144-D Dual-Button Key Fob
- 1148 Personal Pendant
- 1154 Four-Zone Input Module
- 1158 Eight-Zone Input Module
- 1164 Smoke Detector with Synchronized Sounder
- 1164NS Smoke Detector with No Sounder
- 1166 Smoke Ring Detector
- 1168 Smoke/CO/Low Temp Detector
- 1183-135F Heat Detector
- 1183-135R Heat Detector
- 1184 Carbon Monoxide Detector

Other Wireless

- 738A Ademco 32-Point Expansion Module
- 738I ITI 96-Point Expansion Module
- 738Z+ Z-Wave Interface Module
- 738T Translator

Accessories

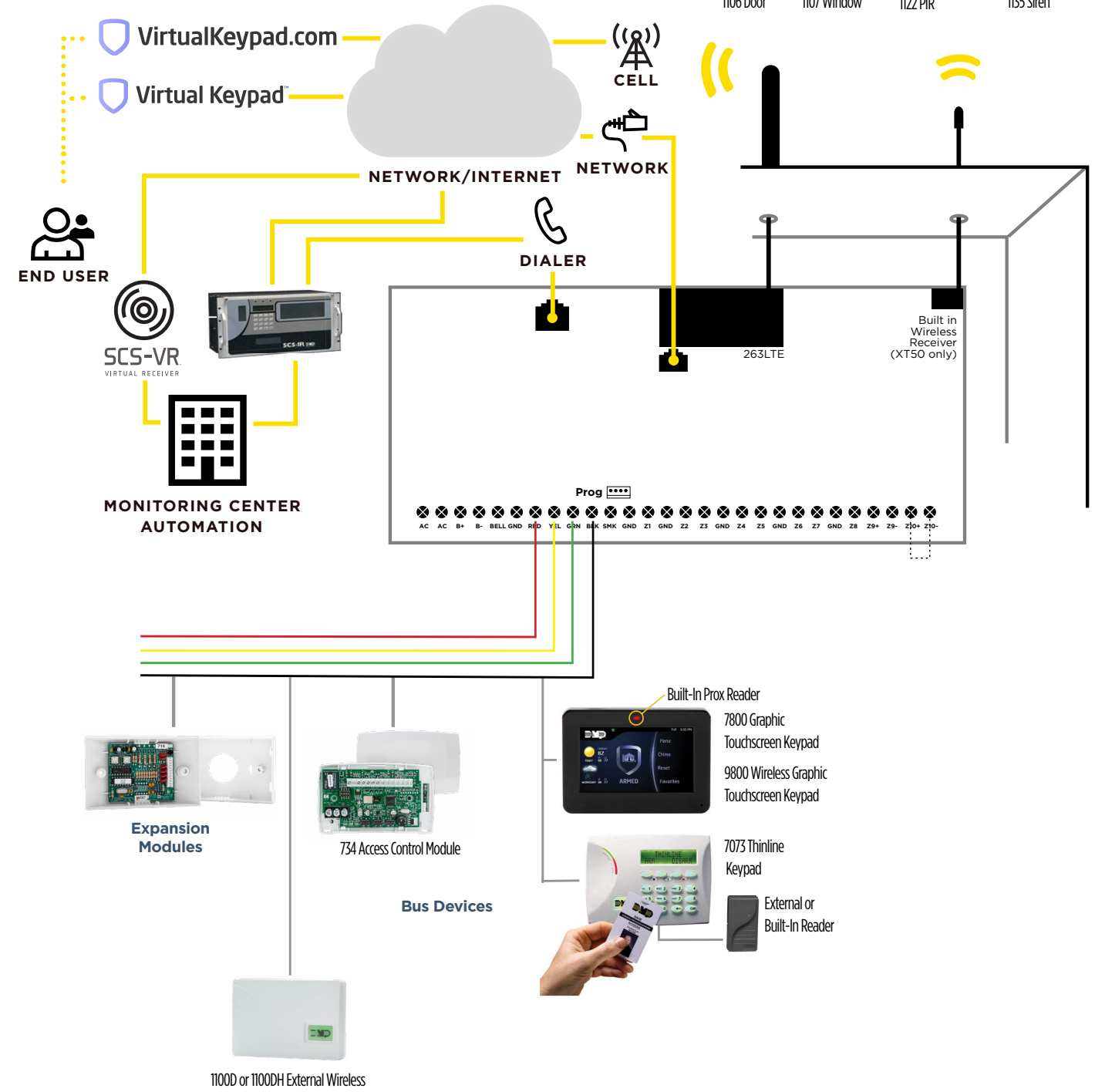
- 300 Four-Wire Harness
- 307 Clip-On Tamper Switch
- 307-S Screw-On Tamper Switch
- 335 Intrusion Siren
- 370 Lightning Suppressor
- 399 Programming Harness
- 300-9800-4 Four-Wire Replacement Harness
- 861 Power Distribution Module

Dealer Management

- Remote Link™ Programming Software
- Tech APP™
- Dealer Admin™

End User Management

- VirtualKeypad.com
- Virtual Keypad™
- Download on the App Store
- GET IT ON Google Play



Any third-party trademarks referenced herein are the property of their respective owners and do not indicate or imply any affiliation, sponsorship or endorsement of DMP or its products.